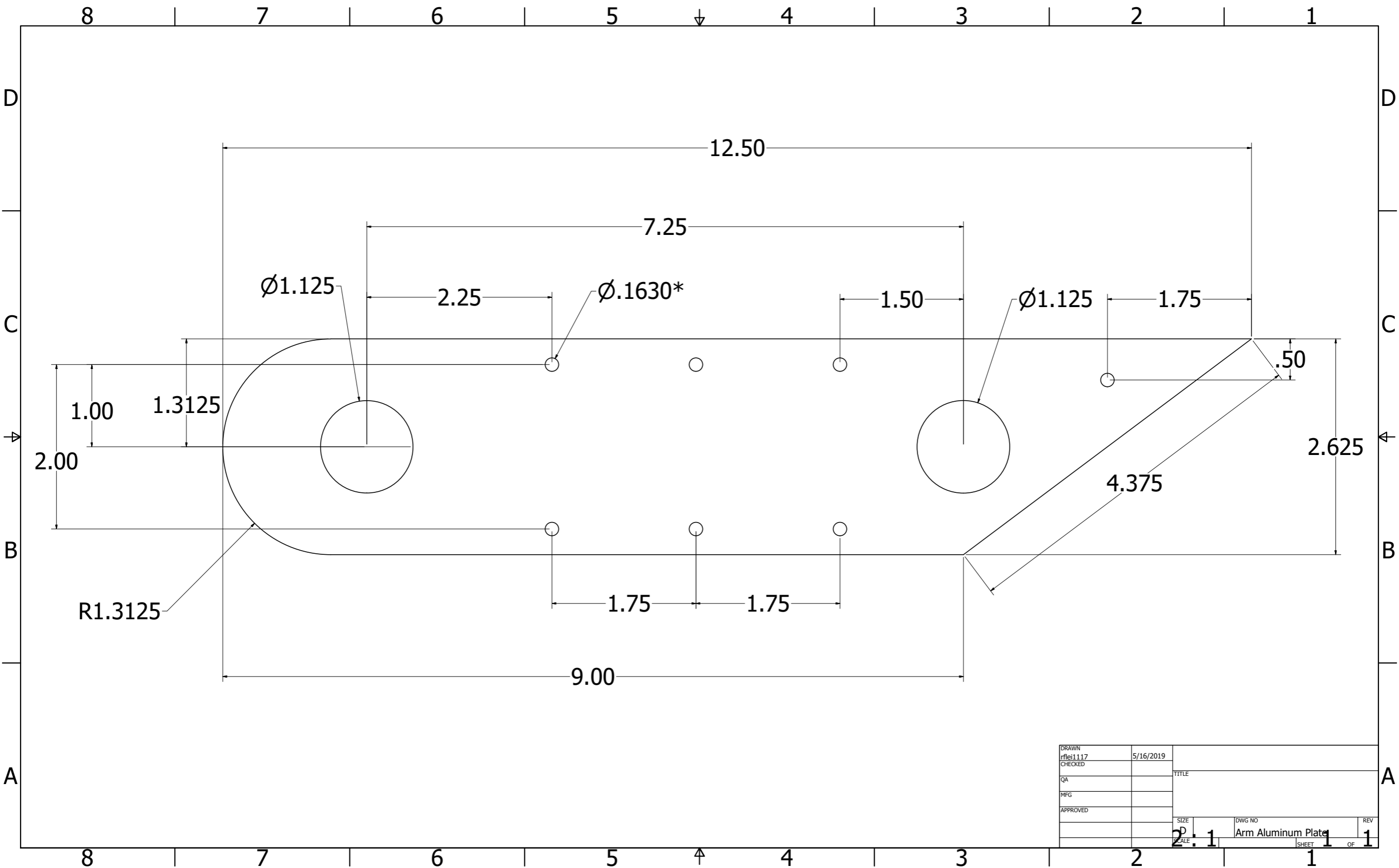


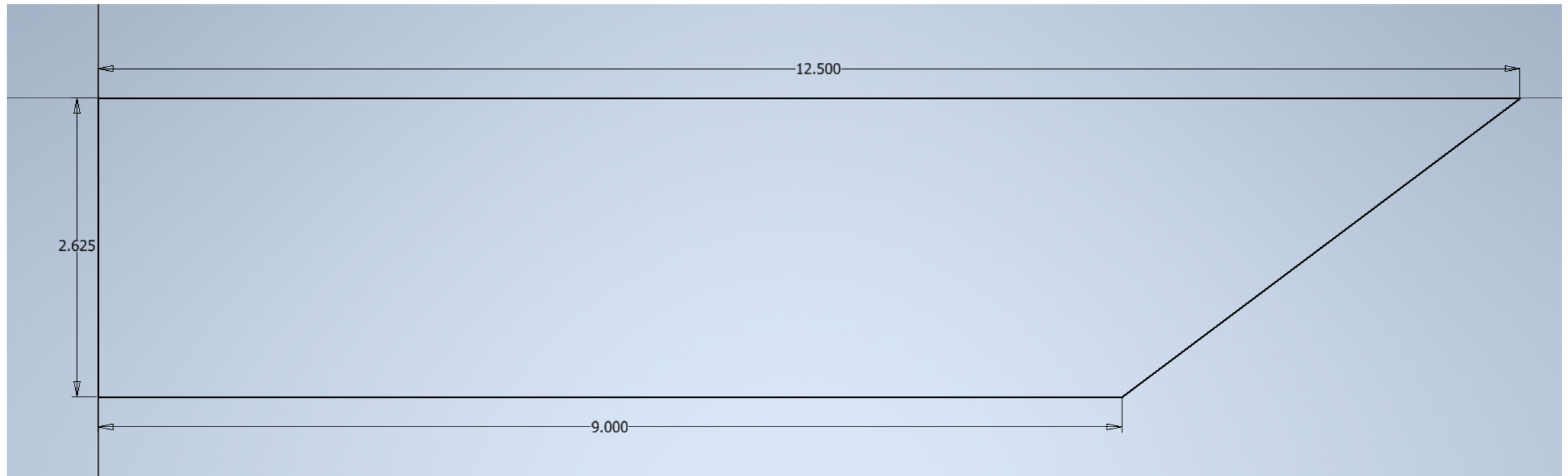
Drawing



DRAWN	rflle1117	5/16/2019		
CHECKED			TITLE	
QA				
MFG				
APPROVED				
SIZE	D	DWG NO	Arm Aluminum Plate	REV
SCALE	2:1			1
		SHEET	1	OF 1

Hints:

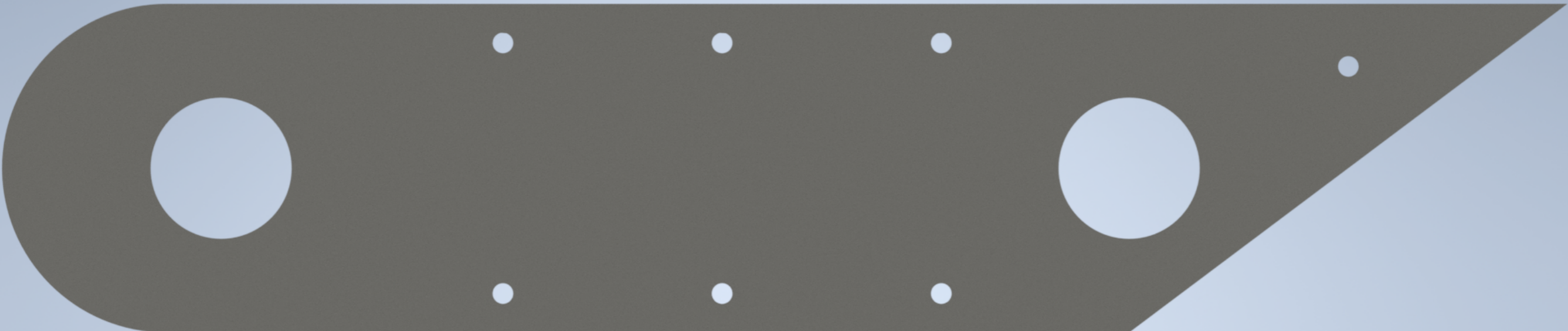
1. Start by sketching this:



2. Then make the fillets on the bottom left
3. Make the two large circles
4. Make the 3 small circles on the top using the rectangular pattern tool
5. Use the mirror tool to mirror those 3 small circles to the bottom.
6. Extrude the entire part (exclude all the circles) 0.125 in.

If you forget how to use any of these tools, watch previous lessons where they are covered.

What it should look like:



What it should look like:

